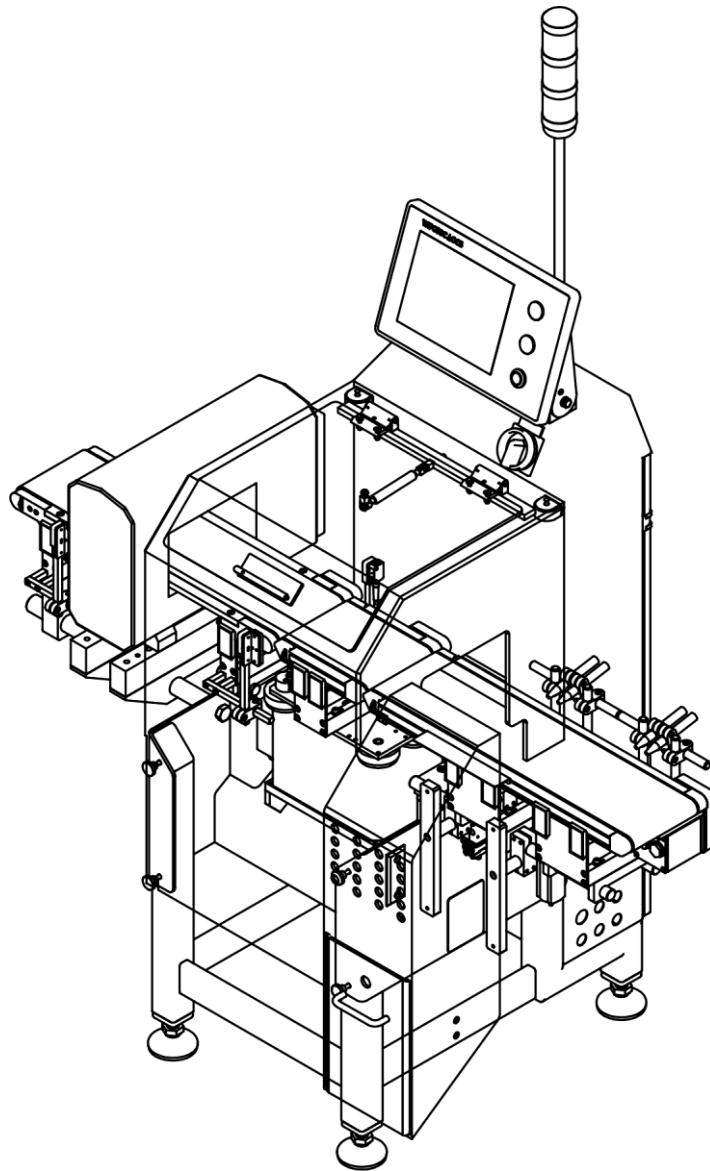


HC-M-MDi

TECHNICAL DATA



WEIGHING AND METAL DETECTION IN ONE INTEGRATED UNIT

HC-M MDi

If high precision weighing of your products is not enough and you require an additional reliable inspection for metallic impurities, you need the **HC-M-MDi**. This machine is a high-tech combination scale and metal detector, together in one compact unit that sets the quality standard in terms of product safety.

The entire system is controlled via the menu-driven, user-friendly controls of the checkweigher. The central control point conveniently manages the product parameters, protocols, and production statistics. Naturally, you will find all of the conventional performance characteristics

of metal detectors (for example, product tracking, compensating for the product effect, FPV compliance checks, etc.), provided in the HC-M-MDi. This model is a high-precision weighing instrument and fully integrated metal detector all in one compact unit. The use of high-tech

Weigh Cells from WIPOTEC, which operate according to the principle of Electro-Magnetic Force Restoration (EMFR), guarantees optimal weighing results with the best technology. The easy and intuitive software interface ensures comfortable operation on an 10.4-inch, clearly laid out, colour TFT display with touchscreen.



MAIN FEATURES

- × User friendly interface via one HMI
- × Separate sort out metal/weight
- × Flexible integration in production lines

YOUR BENEFITS

- × Conveyor belt in stainless steel (optional) for highest flexibility
- × Fully integrated metal detector for extensive control.

BASE DATA

Material of machine	Frame stainless steel V2A/AISI 304
Unit weight (standard version)	260 kg
Shipping weight (standard version)	330 kg
Protection class	IP54 ¹⁾
Temperature range	+5 °C to +40 °C
Display and operation	Tilttable 10,4" colour TFT display with touchscreen
Available dialog languages	Bosnian, Chinese, Croatian, Czech, Danish, Dutch, English, Finnish, French, German, Greek, Hungarian, Italian, Japanese, Latvian, Lithuanian, Polish, Portuguese, Russian, Slovak, Slovenian, Spanish, Swedish, Turkish (other languages on request)
Interfaces ²⁾	Optionally: Ethernet, OPC, Profibus, ProfiNet, EtherNet/IP, RS232, RS422, RS485
Max. output ³⁾	250 pcs/min
Digital I/O	8xI + 8xO (optionally extendible)
Product parameter storage	100 PPS (optionally 200 / 400 PPS)
Drive	Servo-Technology
Noise level ³⁾	A-weighted emission sound pressure level under 70dB(A)
Rated voltage	L1/N/PE; 100-240 VAC
Rated frequency	50/60 Hz
Connect load (power capacity)	Approx. 0.8 kVA
Compressed air supply (option)	6 bar approx. 16NL/min quality class (according to ISO 8573-1) [5:3:3]
Possible maximum numbers of connected motors	3 motors (optionally 2 extendible)
EU-type examination certificate	DE-18-MI006-PTB001 (MID)

WEIGHING DETAILS

	Weigh Cell (Type)	GWR (Gross weighing range)	Dead load max.	e (Min. calibration value)	d (Displayed value)	Standard deviation ³⁾ (1s)	n (Scale division)
HC-M-MDi-2000-2	EC-2000-2	750 g	4,000 g	≥ 0.1 g	≥ 0.01 g	ab 100 mg	7,500
HC-M-MDi-2000-1	EC-2000-1	1,500 g	4,000 g	≥ 0.2 g	≥ 0.02 g	ab 100 mg	7,500
HC-M-MDi-3000-3	EC-3000-3	1,500 g	8,500 g	≥ 0.2 g	≥ 0.02 g	ab 100 mg	7,500
HC-M-MDi-3000-2	EC-3000-2	3,750 g	8,500 g	≥ 0.5 g	≥ 0.05 g	ab 100 mg	7,500

1) Water from above, for IP65 full protection, see VA-application or WD-application (IP69K)

2) Optionally, surcharge

3) Depending on product shape, product behavior, transport speed and environmental condition

CONVEYOR DIMENSION

		Dimensions weighing conveyor			
length \ width		120 mm	150 mm	200 mm	250 mm ¹⁾
200 mm		X	X	-	-
250 mm ¹⁾		X	X	X	-
300 mm		X	X	X	-
400 mm		X	X	X	X

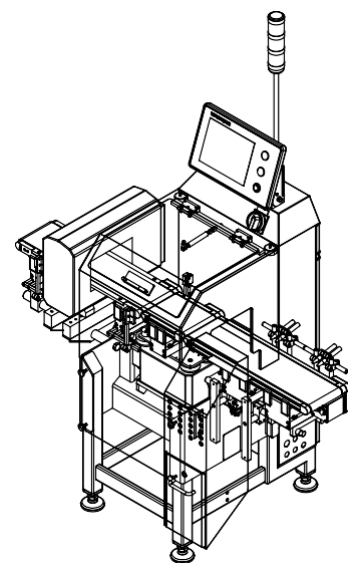
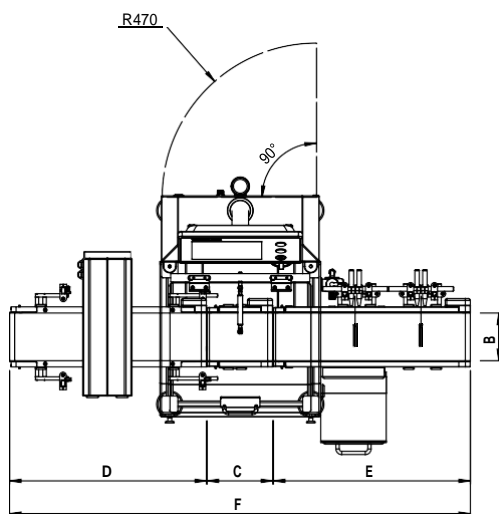
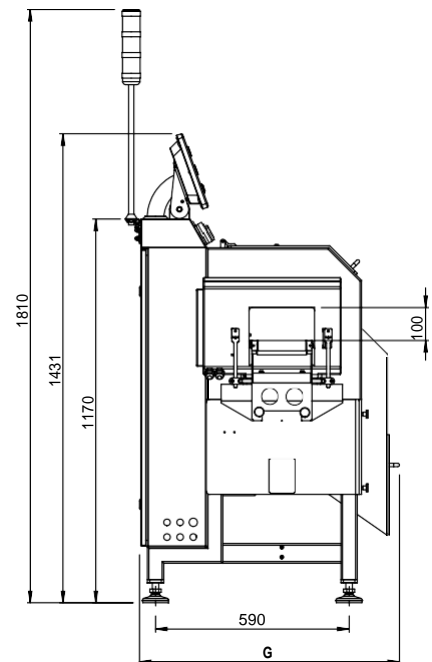
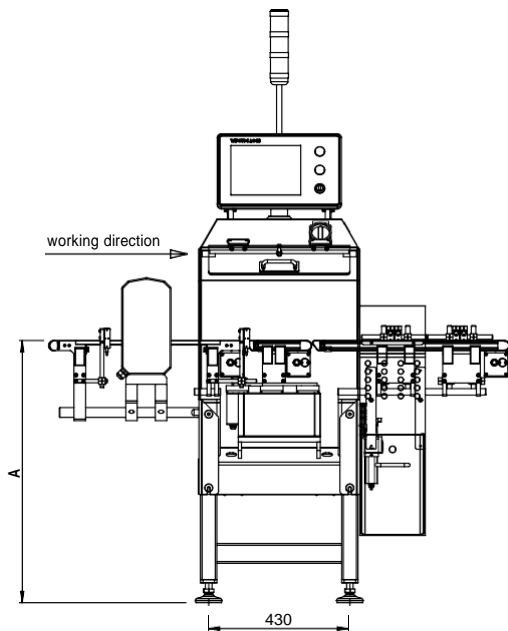
		Dimensions outfeed conveyor			
length \ width		120 mm	150 mm	200 mm	250 mm ¹⁾
200 mm		X	X	-	-
300 mm		X	X	X	-
400 mm		X	X	X	X
500 mm		X	X	X	X
600 mm		X	X	X	X

		Dimensions infeed conveyor (metal detector conveyor)			
length \ width		120 mm	150 mm	200 mm	250 mm ¹⁾
600 mm - 900 mm		Depending on the used metal detector (dimensions)			

1) Optionally, surcharge

MACHINE DIMENSIONS

HC-M MDi



A = Working height ¹⁾	700-850 / 800-950 / 900-1,050 mm
B = Conveyor width	120 / 150 / 200 / 250 ²⁾ mm
Conveyor technology NT30	roller diameter 30 mm
C = Weighing conveyor length	200 / 250 ²⁾ / 300 / 400 mm
D = Infeed conveyor length ³⁾	600-900 mm depending on the used metal detector
E = Outfeed conveyor length	200 / 300 / 400 / 500 / 600 mm
F = Total length	D + C + E + 10 mm
G = Total width	800 mm depending on machine configuration

1) Working height must be specified when ordering
2) Optionally, surcharge

These specifications are reference values of the standard machine excluding application- or weighing-specific add-on parts.
All entries in mm | Drawing shows design example

